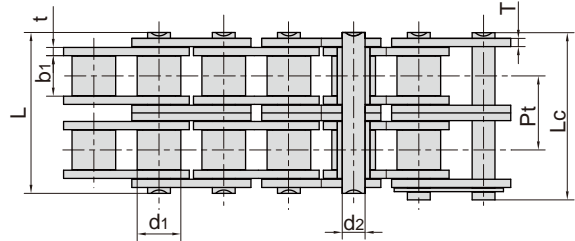
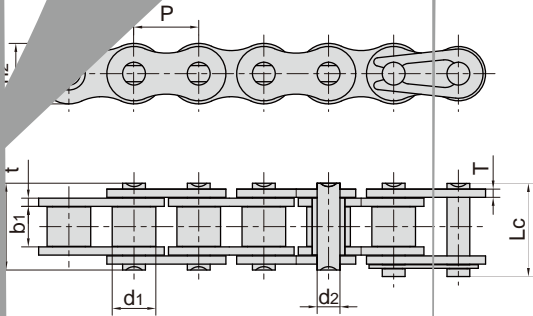


BUJPO

# BUJPO SPMMS DIBJOT



No.	Pitch	Roller diameter	Width between inner plates	Pin diameter	Pin length		Inner plate depth	Plate thickness	Transverse pitch	Tensile strength	Weight per meter
	P	d1 max	b1 min	d2 max	L max	Lc max	h2 max	t/T max	Pt	Q min	q
	mm	mm	mm	mm	mm	mm	mm	mm	mm	kN/lbf	kg/m
SLR	9.525	6.35	5.72	3.28	13.15	14.1	8.20	1.30	-	9.0/2045	0.41
SLR	12.700	8.51	7.75	4.45	16.70	18.2	11.80	1.60	-	18.0/4091	0.69
LR-2	12.700	8.51	7.75	4.45	31.20	32.2	11.80	1.60	13.92	32.0/7273	1.34
LR-3	12.700	8.51	7.75	4.45	45.10	46.1	11.80	1.60	13.92	44.5/10004	2.07
SLR	12.700	8.51	7.75	4.45	16.70	18.2	11.80	1.60	-	18.0/4046	0.78
SLR-2	12.700	8.51	7.75	4.45	31.00	32.2	11.80	1.60	13.92	32.0/7194	1.55
RF1	12.700	8.51	7.75	4.45	17.30	18.7	11.80	1.60	-	18.0/4091	0.72
SLR	15.875	10.16	9.65	5.08	19.50	20.9	14.70	1.70	-	22.4/5091	0.93
LR-2	15.875	10.16	9.65	5.08	36.10	37.5	14.70	1.70	16.59	44.5/10114	1.84
LR-3	15.875	10.16	9.65	5.08	52.70	54.1	14.70	1.70	16.59	66.7/14994	2.52
SLR	15.875	10.16	9.65	5.08	19.50	20.9	14.70	1.70	-	22.4/5089	1.06
SLR-2	15.875	10.16	9.65	5.08	36.10	37.5	14.70	1.70	16.59	36.5/8205	2.08
RF1	15.875	10.16	9.65	5.08	19.90	21.6	14.70	1.70	-	22.4/5091	0.97
SLR	19.050	12.07	11.68	5.72	22.50	24.2	16.00	1.85	-	29.0/6591	1.15
LR-2	19.050	12.07	11.68	5.72	42.00	43.6	16.00	1.85	19.46	57.8/13136	2.31
LR-3	19.050	12.07	11.68	5.72	61.50	63.1	16.00	1.85	19.46	86.7/19490	3.50
SLR	19.050	12.07	11.68	5.72	22.90	24.9	16.00	1.85	-	29.0/6589	1.32
SLR-2	19.050	12.07	11.68	5.72	42.00	43.6	16.00	1.85	19.46	57.8/13136	2.31
RF1	19.050	12.07	11.68	5.72	22.90	24.7	16.00	1.85	-	29.0/6591	1.19
SLR	25.400	15.88	17.02	8.28	36.10	37.4	21.00	4.15/3.10	-	60.0/13636	2.71
LR-2	25.400	15.88	17.02	8.28	68.00	69.3	21.00	4.15/3.10	31.88	106.0/24091	5.42
SLR	25.400	15.88	17.02	8.28	36.10	39.1	21.00	4.15/3.10	-	60.0/13488	2.92
LR-2	25.400	15.88	17.02	8.28	68.00	71.0	21.00	4.15/3.10	31.88	106.0/23829	5.87
LR-3	25.400	15.88	17.02	8.28	99.80	102.9	21.00	4.15/3.10	31.88	160.0/35968	8.77
RF1	25.400	15.88	17.02	8.28	36.70	39.7	21.00	4.15/3.10	-	60.0/13636	2.73
RF4	25.400	15.88	17.02	8.28	36.10	39.1	21.00	4.15/3.10	-	60.0/13636	2.77
SLR	25.400	15.88	17.02	8.28	36.10	37.4	24.00	4.15/3.10	-	60.0/13633	3.38
LRF1	25.400	15.88	17.02	8.28	36.70	39.7	21.00	4.15/3.10	-	60.0/13633	2.98
LRF2	25.400	15.88	17.02	8.28	36.70	38.2	24.00	4.15/3.10	-	60.0/13633	3.39
LR	38.100	25.40	25.40	14.63	53.40	57.8	33.20	6.00/4.80	-	160.0/35968	7.08
LR-2	38.100	25.40	25.40	14.63	101.70	106.2	33.20	6.00/4.80	48.36	319.2/71756	12.43