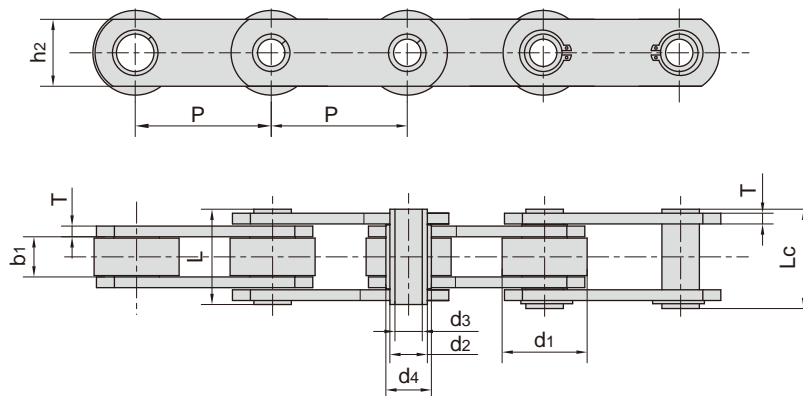


. \$2( D/§ ðJ-D;DÀE.J+ ) PMMPX QJO DPOWFZPS DIBJOT . \$ TFSJFT

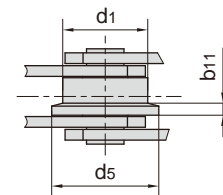
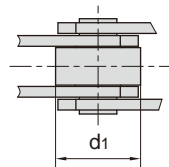
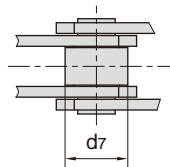
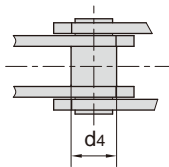


without rollers

with S small rollers type

with P large rollers type

with F flanged rollers type



DIN Ä°Ä Chain No.	½Ú¼à Pitch						¹õx³ß´ç Roller dimension				ìxí²Ö±¼¶¶ Bush diameter	Á°ä_ß¶È Plate depth
	P						d1 max	d7 max	dεµ max	b11	d4 max	h2 max
	mm						mm	mm	mm	mm	mm	mm
MC28	63.0	80.0	100.0	125.0	160.0	-	36.0	25.0	45.0	4.5	17.5	25.0
MC56	80.0	100.0	125.0	160.0	200.0	250.0	50.0	30.0	60.0	5.0	21.0	35.0
MC112	100.0	125.0	160.0	200.0	250.0	315.0	70.0	42.0	85.0	7.0	29.0	50.0
MC224	160.0	200.0	250.0	315.0	400.0	500.0	100.0	60.0	120.0	10.0	41.0	70.0

DIN Ä°Ä Chain No.	ÄÜ½ÜÄÜ¿ Width between inner plates	ÿüÖáÖ±¼¶¶ Pin diameter		ÿüÖá³³¶¶È Pin length		Á°ä°¶¶È Plate thickness	¿¹Ä-Ç¿¶È Tensile strength	
	b1 min	d2 max	d3 min	L max	Lc max	T max	Q min	*Q min
	mm	mm	mm	mm	mm	mm	kN/lbf	kN/lbf
MC28	20.0	13.0	8.2	36.0	38.5	3.5	28.0/6364	40.0/9091
MC56	24.0	15.5	10.2	45.0	47.5	4.0	56.0/12727	90.0/20454
MC112	32.0	22.0	14.3	62.5	64.3	6.0	112.0/25454	180.0/40908
MC224	43.0	31.0	20.3	83.0	85.5	8.0	224.0/50909	350.0/79544

\*Q ±iÉ%ÈÈ¹Ai°µÄ¿¹Ä-Ç¿¶È

\*Q denotes the tensile strength after hardened