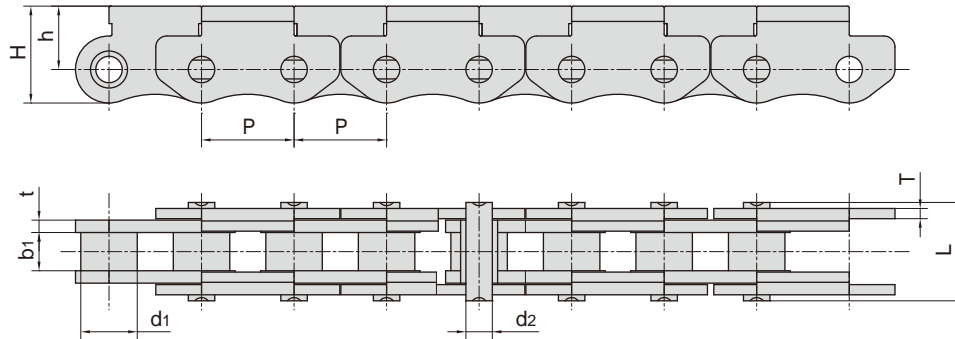
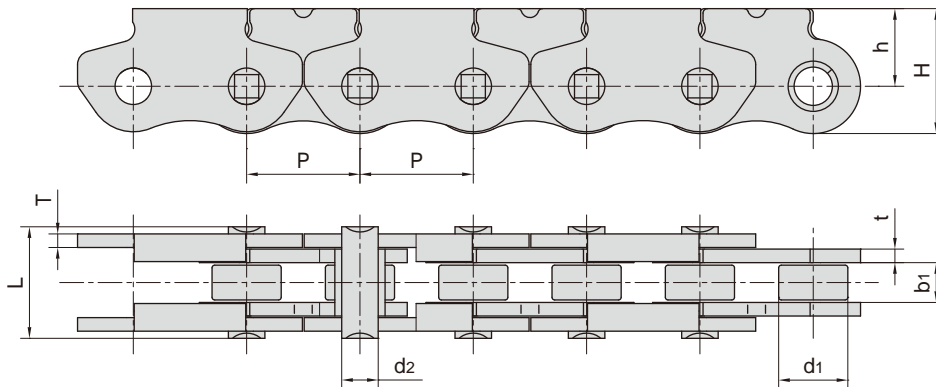




Anti-backbend chains for pushing window

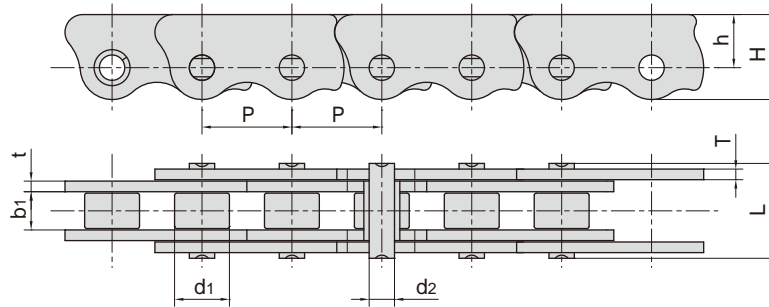


东华链号 Donghua Chain No.	节距	滚子直径	内节内宽	销轴直径	销轴长度	链板尺寸			抗拉强度	每米长重
	Pitch	Roller diameter	Width between inner plates	Pin diameter	Pin length	Plate dimension			Tensile strength	Weight per meter
	P	d1 max	b1 min	d2 max	L max	H max	h	t/T	Q min	q
	mm	mm	mm	mm	mm	mm	mm	mm	kN/lbf	kg/m
P12.7SB	12.700	7.75	5.25	3.58	13.5	13.3	8.7	1.7/1.4	10.0/2248	0.59
P12.7F5SB	12.700	7.75	3.80	3.58	13.1	13.3	8.7	1.7/1.4	10.0/2248	0.55

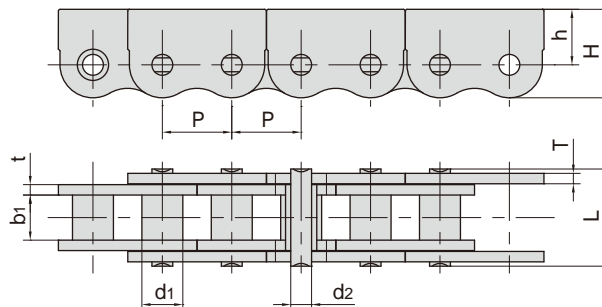


东华链号 Donghua Chain No.	节距	滚子直径	内节内宽	销轴直径	销轴长度	链板尺寸			抗拉强度	每米长重
	Pitch	Roller diameter	Width between inner plates	Pin diameter	Pin length	Plate dimension			Tensile strength	Weight per meter
	P	d1 max	b1 min	d2 max	L max	H max	h	t/T	Q min	q
	mm	mm	mm	mm	mm	mm	mm	mm	kN/lbf	kg/m
P12.7F10SB	12.700	7.75	4.10	4.09	12.5	13.8	8.7	1.5	8.2/1843	0.62

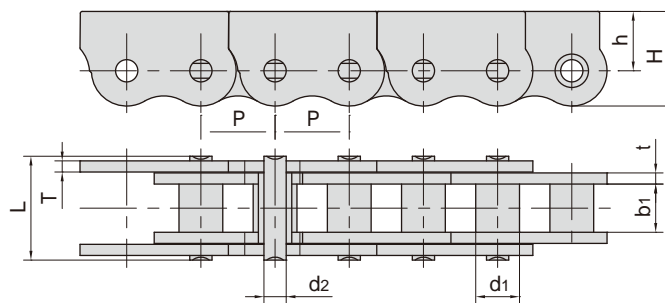
Anti-backbend chains for pushing window



东华链号 Donghua Chain No.	节距	滚子直径	内节内宽	销轴直径	销轴长度	链板尺寸			抗拉强度	每米长重
	Pitch	Roller diameter	Width between inner plates	Pin diameter	Pin length	Plate dimension			Tensile strength	Weight per meter
	P	d1 max	b1 min	d2 max	L max	H max	h	t/T	Q min	q
	mm	mm	mm	mm	mm	mm	mm	mm	kN/lbf	kg/m
P12.7F12	12.700	7.75	5.25	3.58	13.4	12.0	7.5	1.5	10.0/2248	0.68



东华链号 Donghua Chain No.	节距	滚子直径	内节内宽	销轴直径	销轴长度	链板尺寸			抗拉强度	每米长重
	Pitch	Roller diameter	Width between inner plates	Pin diameter	Pin length	Plate dimension			Tensile strength	Weight per meter
	P	d1 max	b1 min	d2 max	L max	H max	h	t/T	Q min	q
	mm	mm	mm	mm	mm	mm	mm	mm	kN/lbf	kg/m
P20SB	20.000	11.80	13.00	6.00	28.0	25.5	16.0	3.0	36.0/8093	2.78



东华链号 Donghua Chain No.	节距	滚子直径	内节内宽	销轴直径	销轴长度	链板尺寸			抗拉强度	每米长重
	Pitch	Roller diameter	Width between inner plates	Pin diameter	Pin length	Plate dimension			Tensile strength	Weight per meter
	P	d1 max	b1 min	d2 max	L max	H max	h	t/T	Q min	q
	mm	mm	mm	mm	mm	mm	mm	mm	kN/lbf	kg/m
P20SBF1	20.000	11.80	13.00	6.00	28.0	25.5	16.0	3.0	36.0/8093	2.79