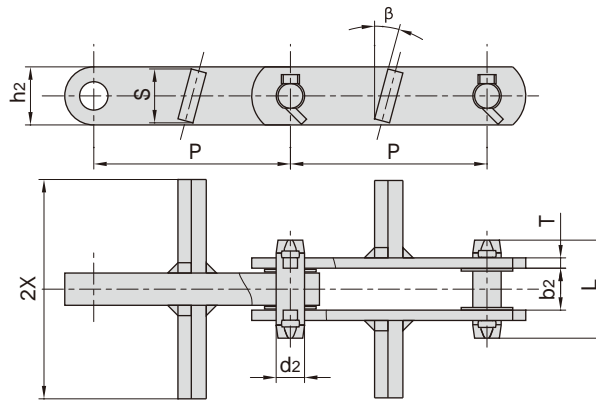
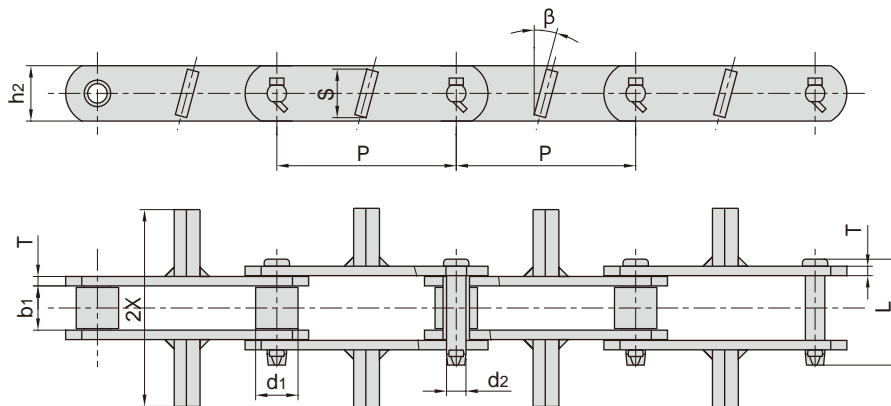


Scraper conveyor chains

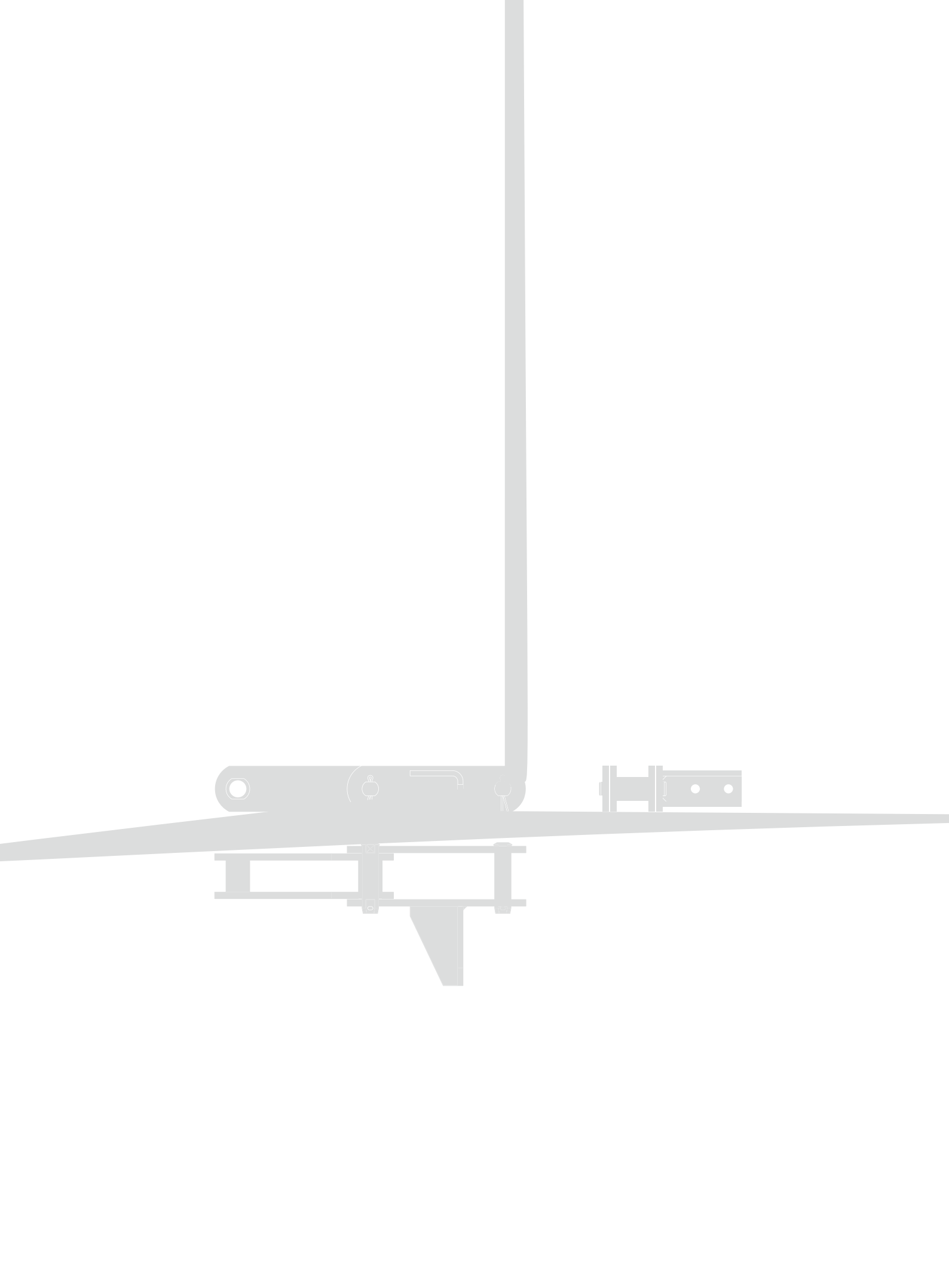
行进方向
Direction of travel

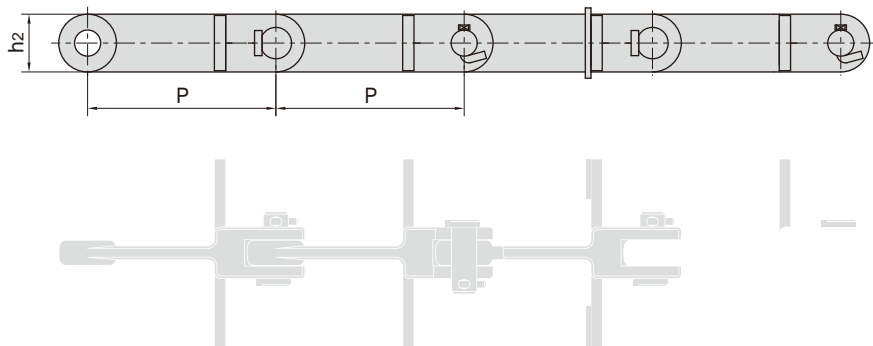


东华链号 Donghua Chain No.	节距 Pitch	外节内宽 Width between outer plates	销轴直径 Pin diameter	销轴长度 Pin length	链板高度 Plate depth	链板厚度 Plate thickness	附板尺寸 Attachment dimension			抗拉强度 Tensile strength	每米重量 Weight per meter
	P	b ₂	d ₂	L	h ₂	T	S	2X	β	Q	q
	mm	mm	mm	mm	mm	mm	mm	mm		kN/lbf	kg/m
P101.6F20	101.6	16.5	17.46	53.7	38.0	6.0	34.0	210.0	45°	100/22496	7.26
P150F17C	150.0	25.0	18.50	67.3	38.1	10.0	36.0	168.0	15°	150/33743	10.60
P152F2	152.4	33.3	22.00	76.0	45.0	8.0	38.0	180.0	20°	260/58489	12.10
P152F45D	152.4	32.5	22.00	76.0	45.0	8.0	42.0	170.0	15°	260/58489	13.50
P152F45E	152.4	32.5	22.00	76.0	45.0	8.0	42.0	280.0	15°	260/58489	16.20
P152F45F	152.4	32.5	22.00	76.0	45.0	8.0	42.0	227.0	15°	260/58489	14.90
P152F46	152.4	40.8	25.00	86.0	50.0	9.0	49.0	290.0	15°	300/67487	20.80



东华链号 Donghua Chain No.	节距 Pitch	内节内宽 Width between inner plates	滚子直径 Roller diameter	销轴直径 Pin diameter	销轴长度 Pin length	链板高度 Plate depth	链板厚度 Plate thickness	附板尺寸 Attachment dimension			抗拉强度 Tensile strength	每米重量 Weight per meter
	P	b ₁	d ₁	d ₂	L	h ₂	T	S	2X	β	Q	q
	mm	mm	mm	mm	mm	mm	mm	mm	mm		kN/lbf	kg/m
P152F48	152.4	37.6	36.0	16.5	90.0	47.0	8.0	42.0	170.0	15°	180/40492	12.1
RF6205MF3	152.4	37.1	38.1	15.9	88.0	45.0	8.0	42.0	170.0	15°	170/38242	12.4

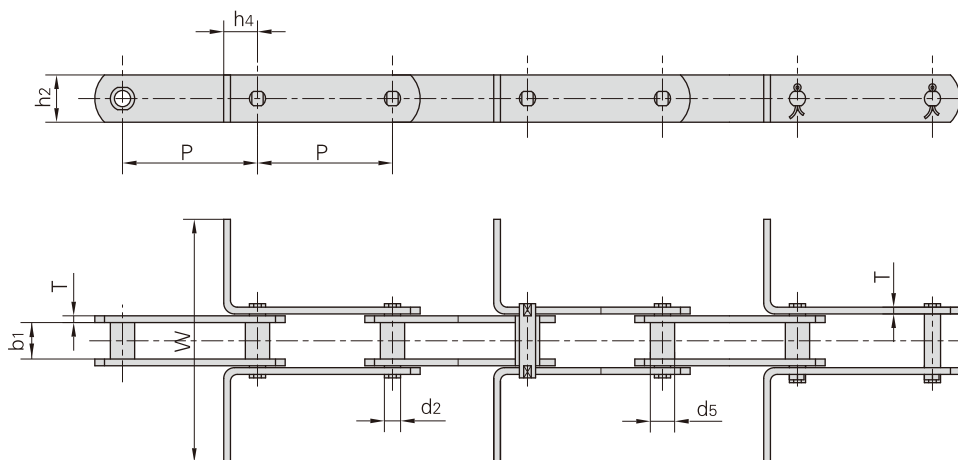




东华链号 Donghua Chain No.	节距	销轴直径	链板高度	销轴长度	链板厚度	附板尺寸	抗拉强度	每米重量
	Pitch	Pin diameter	Plate depth	Pin Length	Plate thickness	Attachment dimension	Tensile strength	Weight per meter
	P	d ₂ max	h ₂	L	T/t	W	Q	q
	mm	mm	mm	mm	mm	mm	kN/lbf	kg/m
MCL267-150-T	150.0	20.0	46.0	59.3	20 / 10	220.0	267/60000	11.4

东华链号 Donghua Chain No.	节距	内节内宽	套筒直径	销轴直径	链板高度	链板厚度	附板尺寸			抗拉强度	每米重量
	Pitch	Width between inner plates	Bush diameter	Pin diameter	Plate depth	Plate thickness	Attachment dimension			Tensile strength	Weight per meter
	P	b ₁	d ₁	d ₂	h ₂	T	F	W	d ₄	Q	q
	mm	mm	mm	mm	mm	mm	mm	mm	mm	kN/lbf	kg/m
MR112F21-B-100	100.0	32.0	21.0	15.0	40.0	6.0	70.0	90.0	11.0	95.2/21413	7.45

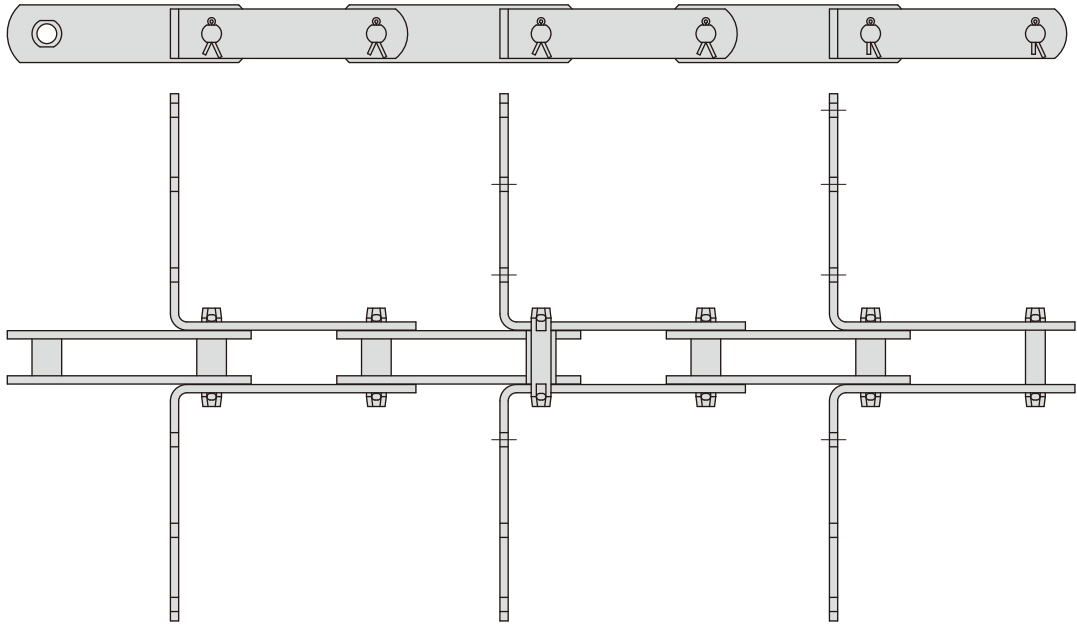
Scraper conveyor chains

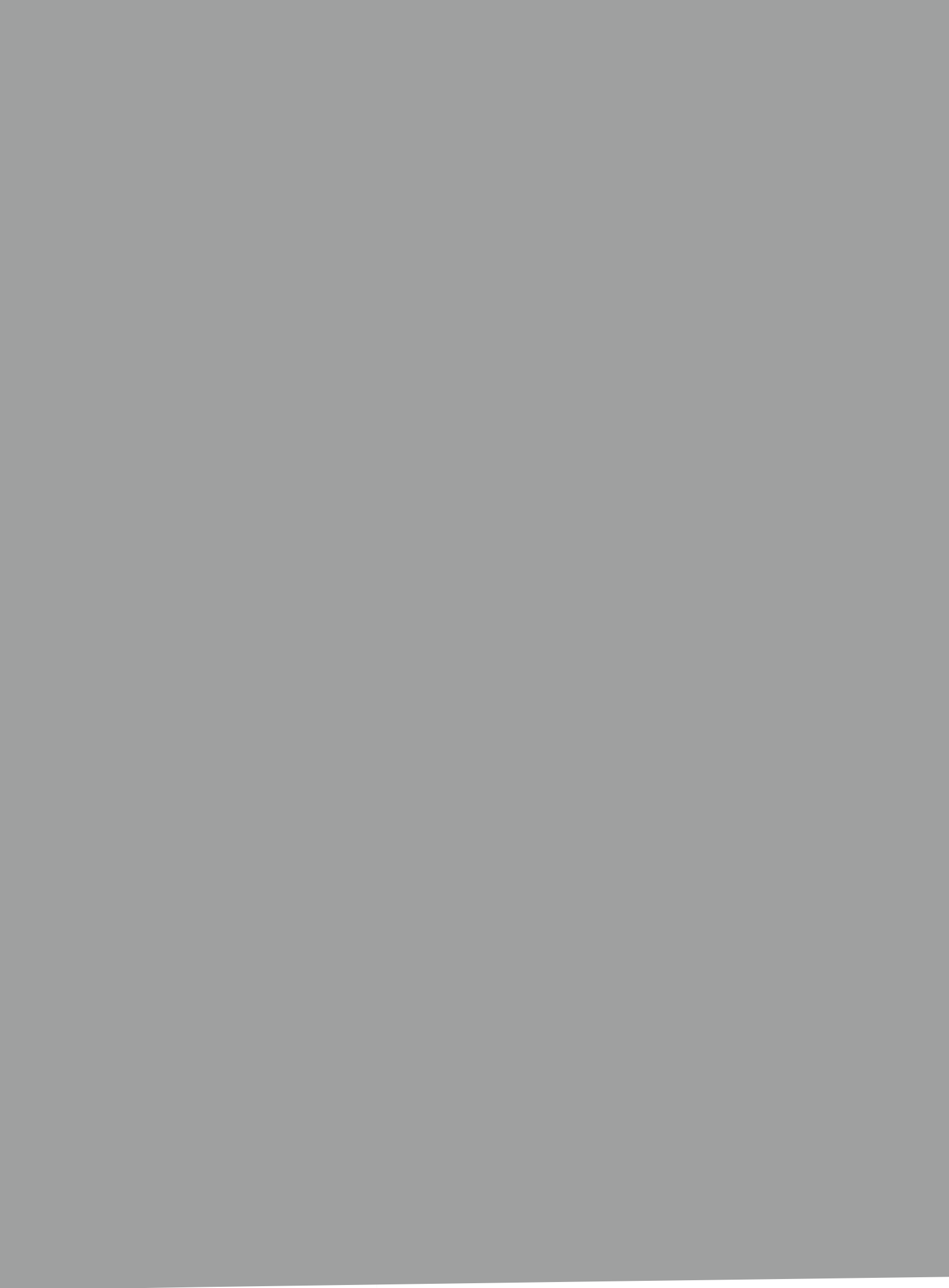


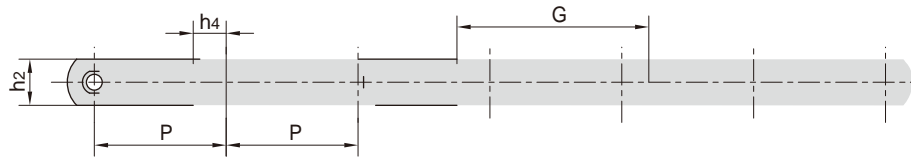
东华链号 Donghua Chain No.	P			b1 min	d2 max	d5 max	h4	h2 max	T max	W	Q min
	mm	mm	mm								
MR56	100	125	-	24.0	10.0	15.0	20.0	30.0	4.0	•	56.0/12727
MR80	100	125	160	28.0	12.0	18.0	25.0	35.0	5.0	•	80.0/18182
MR112	100	125	160	32.0	15.0	21.0	35.0	40.0	6.0	•	112.0/25454
MR160	100	125	160	37.0	18.0	25.0	40.0	50.0	7.0	•	160.0/36364
MR224	125	160	200	43.0	21.0	30.0	44.0	60.0	8.0	•	224.0/50909
MR315	160	200	250	48.0	25.0	36.0	50.0	70.0	10.0	•	315.0/71591

东华链号 Donghua Chain No.	P			b1 min	d2 max	d5 max	h4	h2 max	T max	W	Q min
	mm	mm	mm								
FVR40	80	100	125	18.0	10.0	15.0	20.0	25.0	3.0	•	42.0/9545
FVR63	100	125	160	22.0	12.0	18.0	25.0	30.0	4.0	•	64.0/14545
FVR90	100	125	160	25.0	14.0	20.0	30.0	35.0	5.0	•	100.0/22727
FVR112	100	125	160	30.0	16.0	22.0	35.0	40.0	6.0	•	120.0/27272
FVR140	125	160	200	35.0	18.0	26.0	38.0	45.0	6.0	•	145.0/32954
FVR180	125	160	200	45.0	20.0	30.0	44.0	50.0	8.0	•	190.0/43181
FVR250	160	200	250	55.0	26.0	36.0	50.0	60.0	8.0	•	275.0/62499

- 表示自由尺寸(根据客户要求定)
- Dimensions are specified by the customer

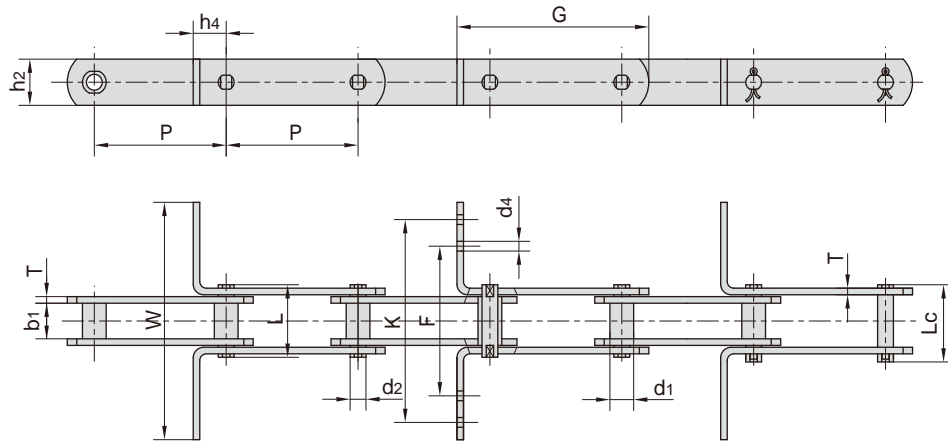






东华链号 Donghua Chain No.	G	F	W	K	h_4	h_2	d_4	T
	mm	mm	mm	mm	mm	mm	mm	mm
P66.5F1	112.0	100.0	160.0	-	28.75	29.0	13.0 × 25.0	6.0
FVR40F5-P-80	104.0	-	80.0	-	20.00	25.0	-	3.0
MR22F1-B-100	132.7	-	150.0	-	16.40	22.0	-	3.0
MR112F7-S-100	160.0	120.0	235.0	205.0	35.00	40.0	12.0	6.0
MR112F8-S-100	160.0	-	285.0	-	35.00	40.0	-	6.0
MR160F7-S-100	170.0	125.0	386.0	356.0	40.00	50.0	12.0	7.0
MR160F8-S-100	170.0	115.0	235.0	205.0	40.00	50.0	18.0	7.0
MR160F11-S-100	170.0	115.0	235.0	205.0	40.00	50.0	19.7	7.0
MR160F10-B-100	170.0	140.0	290.0	260.0	40.00	50.0	19.7	7.0
M80-P100F1	145.5	-	180.0	-	25.00	35.0	-	5.0
M180-P-100	163.0	-	185.0	-	35.00	50.0	-	6.0
FVR40F4-B-100	134.5	-	200.0	-	20.00	25.0	-	4.0
FVR40F6-B-100	140.0	-	130.0	-	25.00	25.0	-	3.0
FVR63F2-B-100	142.5	-	190.0	-	25.00	30.0	-	4.0
FVR63F3-B-100	142.5	-	230.0	-	25.00	30.0	-	4.0
FVR90F8-B-100	145.0	-	250.0	-	25.00	35.0	-	5.0
MR160F20-B-100	165.0	-	280.0	-	40.00	50.0	-	7.0
PR101.6F1	165.8	134.0	223.0	196.0	40.00	38.1	11.1	9.7
MR80F5-B-125	170.0	-	280.0	-	25.00	35.0	-	5.0
P100F16	143.0	91.8	180.0	159.8	25.00	36.0	6.5	6.0
P101.6	198.6	-	206.5	-	62.00	60.0	-	14.5
MR80F7-B-125	170.0	91.5	180.0	156.5	25.00	35.0	6.6	5.0
MR224F1-S-125	203.0	-	235.0	-	44.00	60.0	-	8.0
M310-P-125	195.0	-	270.0	-	35.00	55.0	-	10.0
M310F1-P-125	195.0	-	560.0	-	35.00	55.0	-	10.0

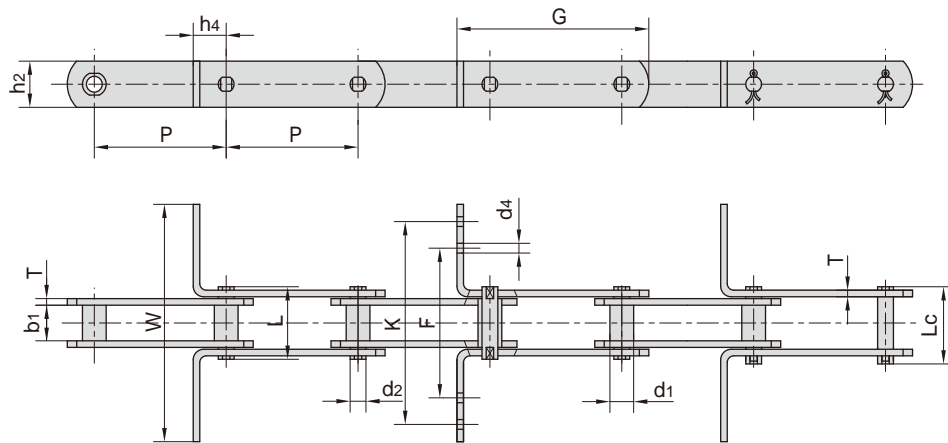
Scraper conveyor chains



东华链号 Donghua Chain No.	节距 Pitch	套筒直径 Bush diameter	内节内宽 Width between inner plates	销轴直径 Pin diameter	销轴长度 Pin length		抗拉强度 Tensile strength	平均抗拉强度 Average tensile length	每米长重 Weight per meter
	P	d1 max	b1 min	d2 max	L max	Lc max	Q min	Q0	q
	mm	mm	mm	mm	mm	mm	kN/lbf	kN	kg/m
FVR90F1-B-125	125.0	20.0	25.00	14.00	52.0	56.4	150.0/33743	165.0	6.16
P125F3	125.0	25.0	36.00	18.00	82.0	-	220.0/49999	242.0	11.17
P125F4	125.0	25.0	36.00	18.00	82.0	-	220.0/49999	242.0	9.83
MR80F5-B-125	125.0	18.0	28.00	12.00	55.0	58.5	80.0/18162	88.0	5.24
MR80F7-B-125	125.0	18.0	28.00	12.00	55.4	60.0	80.0/17984	88.0	5.00
MR80F8-B-125	125.0	18.0	28.00	12.00	59.4	64.0	112.0/27272	123.2	6.30
MR112F11-B-125	125.0	25.0	20.00	19.05	49.0	56.0	112.0/27272	123.2	5.71
MR112F18-B-125	125.0	21.0	32.00	15.00	64.5	69.0	112.0/27272	123.2	7.60
MR160F13-B-125	125.0	25.0	37.00	18.00	75.7	84.7	160.0/36000	176.0	7.90
MR160F18-B-125	125.0	25.0	37.00	18.00	75.7	84.7	160.0/36000	176.0	11.90
MR112F20-B-125	125.0	21.0	32.00	15.00	-	72.5	112.0/27272	123.2	8.52
M310F1-P-150	150.0	40.0*	52.00	20.00	103.4	109.4	303.8/69045	334.0	19.13
PR150F3	150.0	30.0	38.00	21.00	-	83.00	200.0/44960	220.0	...
FVR112F4-P-150	150.0	46.0*	20.00	16.00	52.0	56.0	112.0/25454	123.2	6.60
MR112F15-B-150	150.0	21.0	32.00	15.00	64.5	69.0	112.0/27272	123.2	6.95
MR112F16-B-150	150.0	21.0	32.00	15.00	64.5	69.0	112.0/27272	123.2	6.69
FVR112F3-B-155	155.0	22.0	65.00	16.00	109.0	-	120.0/26977	132.0	7.13
MR160F4-S-160	160.0	36.0*	37.00	18.00	85.0	-	160.0/36000	176.0	11.39
FVR180F2-B-160	160.0	30.0	49.00	20.00	91.0	97.0	250.0/56203	275.0	15.53
P160F12	160.0	50.0*	34.00	20.00	77.8	-	160.0/35993	176.0	10.30
MR80F3-B-160	160.0	18.0	28.00	12.00	55.0	58.5	80.0/18162	88.0	4.90
MR450F1-S-200	200.0	60.0*	56.00	30.00	119.0	132.0	450.0/101165	495.0	35.23

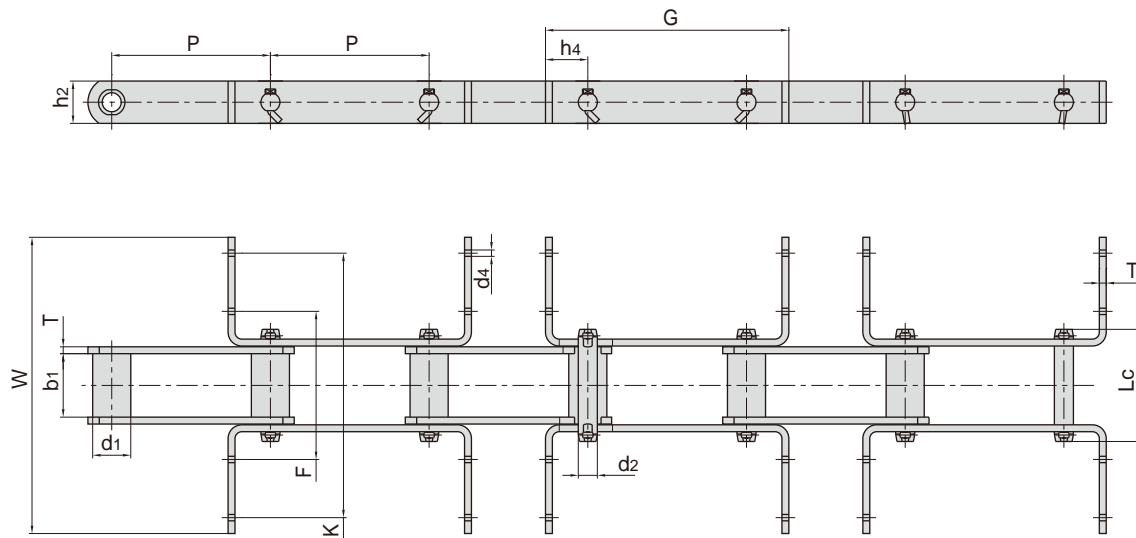
*表示滚子外径
*Indicates the external diameter of roller

Scraper conveyor chains



东华链号 Donghua Chain No.	G	F	W	K	h_4	h_2	d_4	T
	mm	mm	mm	mm	mm	mm	mm	mm
FVR90F1-B-125	175.0	90.0	290.0	270.0	30.0	40.0	9.0	5.0
P125F3	190.0	139.5	290.0	259.5	35.0	51.0	8.5	6.0
P125F4	190.0	119.5	220.0	191.5	35.0	51.0	8.5	6.0
MR160F16-S-100	170.0	118.0	235.0	208.0	40.0	50.0	12.0	7.0
MR80F8-B-125	175.0	92.0	280.0	252.0	30.0	35.0	6.5	6.0
MR112F11-B-125	184.0	90.0	190.0	160.0	35.0	40.0	7.0	5.0
MR112R18-B-125	185.0	-	235.0	-	35.0	40.0	-	6.0
MR112F19-B-100	185.0	-	235.0	-	35.0	40.0	-	6.0
MR112F20-B-125	185.0	-	240.0	-	35.0	40.0	-	6.0
MR160F13-B-125	195.0	-	230.0	-	40.0	50.0	-	7.0
MR160F18-B-125	195.5	-	320.0	-	40.0	50.0	-	7.0
M310F1-P-150	220.0	-	350.0	-	40.0	50.0	-	10.0
PR150F3	234.0	98.0	210.0	250.0	50.0	56.0	11.0	8.0
FVR112F4-P-150	203.0	83.0	109.0	-	28.0	40.0	10.0	6.0
MR80F3-B-160	205.0	-	320.0	-	25.0	35.0	-	5.0
MR112F15-B-150	210.0	120.0	280.0	240.0	35.0	40.0	9.0	6.0
FVR112F3-B-155	207.5	-	250.0	-	30.0	40.0	-	6.0
MR160F4-S-160	248.5	140.0	300.0	250.0	63.5	50.0	18.0	7.0
FVR180F2-B-160	230.0	248.0	368.0	308.0	35.0	60.0	8.0	8.0
P160F12	230.0	-	214.5	-	40.0	50.0	-	6.0
MR112F16-B-150	210.0	100.0	240.0	200.0	35.0	40.0	9.0	6.0
MR450F1-S-200	307.0	-	488.0	-	60.0	80.0	-	12.0

Scraper conveyor chains



东华链号 Donghua Chain No.	节距 Pitch	套筒直径 Bush diameter	内节内宽 Width between inner plates	销轴直径 Pin diameter	销轴长度 Pin length	抗拉强度 Tensile strength	平均抗拉强度 Average tensile trength	每米长重 Weight per meter
	P	d1 max	b1 min	d2 max	Lc max	Q min	Q ₀	q
	mm	mm	mm	mm	mm	kN/lbf	kN	kg/m
PR150F4	150.0	36.0	60.00	18.00	106.00	160.0/35968	176.00	11.50
P150F147	150.0	36.0	55.00	25.40	116.00	330.0/74184	363.00	27.80

东华链号 Donghua Chain No.	G	F	W	K	h ₄	h ₂	d ₄	T
	mm	mm	mm	mm	mm	mm	mm	mm
PR150F4	230.0	140.0	280.0	250.0	40.0	40.0	6.0	6.5
P150F147	236.0	-	380.0	-	43.0	60.0	-	8.0

Scraper conveyor chains

