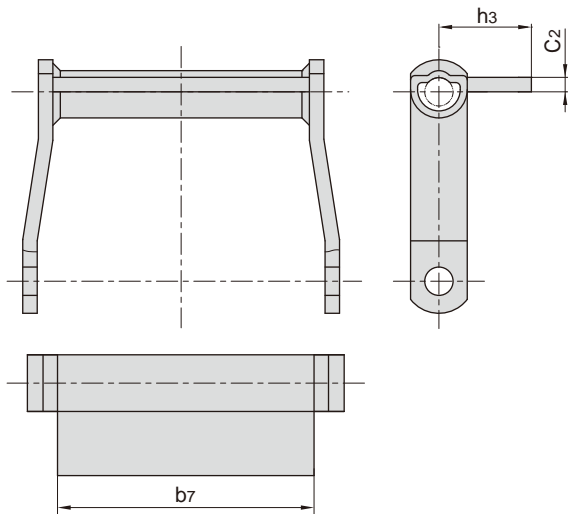


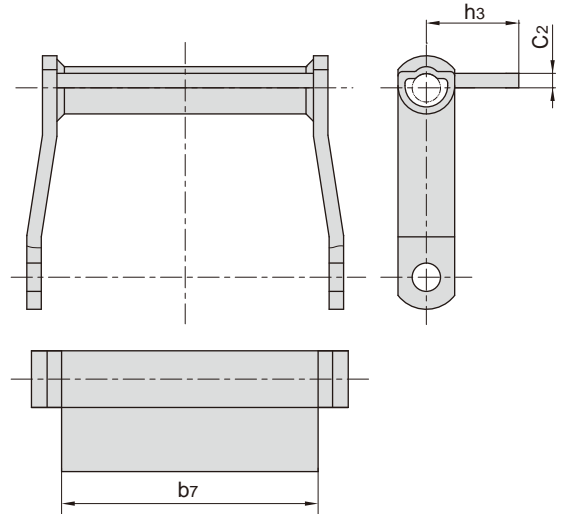
I W^ V WV Ž e f WW^ Ž f k b WV d S Y U Z S [ ` e i [ f Z S f f S U Z \_ W` f e

带C1附件  
With C1 attachments



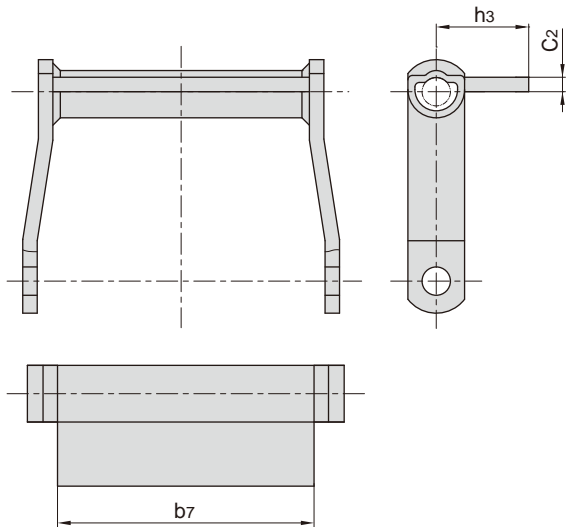
ISO链号 ISO Chain No.	C2	b7 max	h3 max
	mm	mm	mm
WD102	9.7	197.1	62.0
WD104	9.7	136.9	62.0
WD110	9.7	263.9	62.0
WD112	9.7	263.9	62.0
WD116	9.7	359.2	68.1

带C4附件  
With C4 attachments



ISO链号 ISO Chain No.	C2	b7 max	h3 max
	mm	mm	mm
WD102	9.7	197.1	96.8
WD104	9.7	136.9	96.8
WD110	9.7	263.9	96.8
WD112	9.7	263.9	96.8
WD113	12.7	270.3	122.2
WD116	9.7	359.2	125.5
WD480	12.7	324.1	128.5

带C3附件  
With C3 attachments



ISO链号 ISO Chain No.	C2	b7 max	h3 max
	mm	mm	mm
WD110	12.7	263.9	58.7
WD113	12.7	270.3	58.7
WD118	12.7	378.2	77.7
WD480	12.7	324.1	77.7

