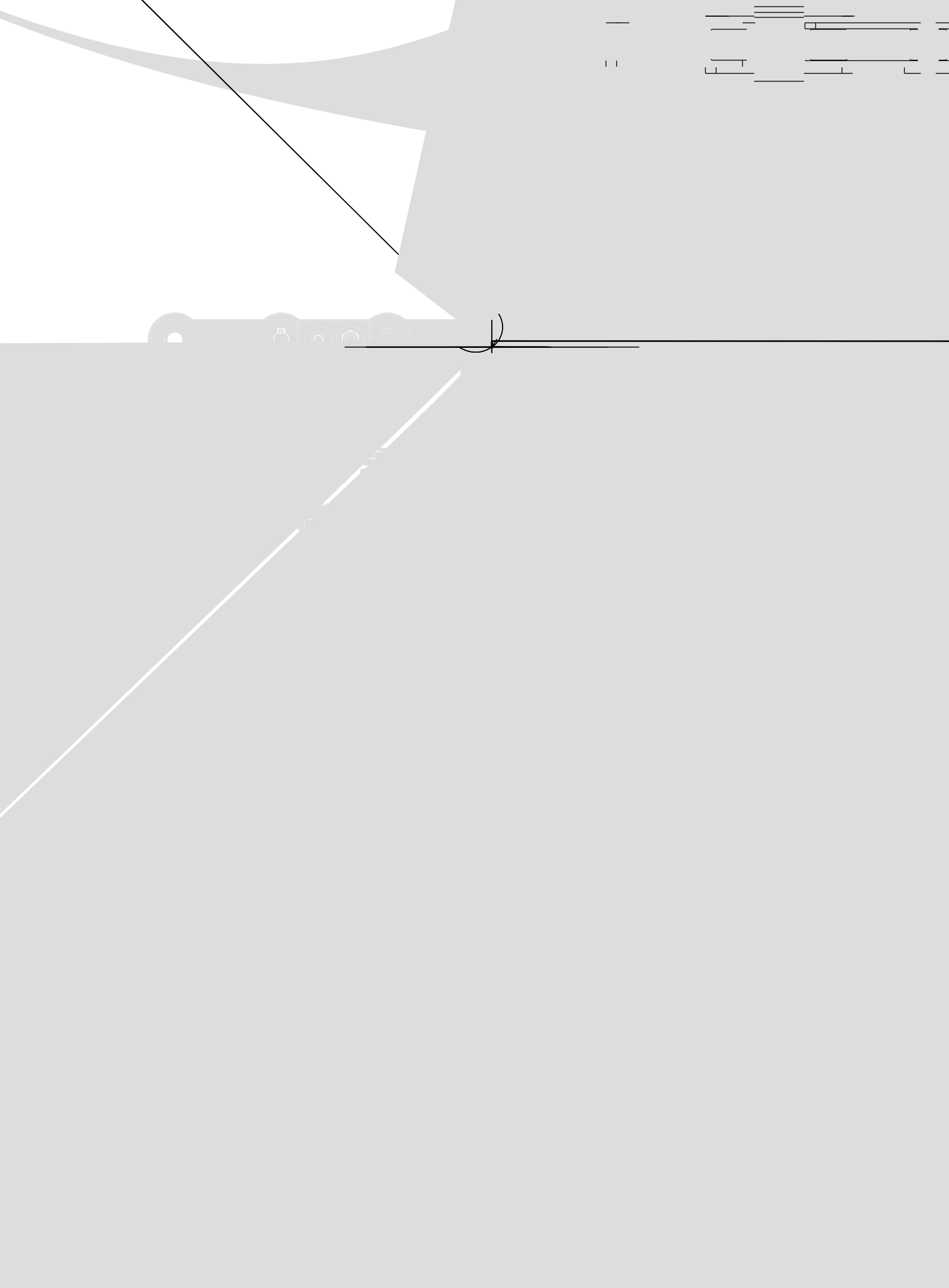




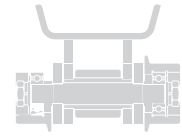
|

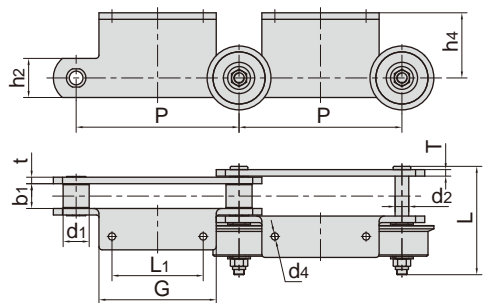




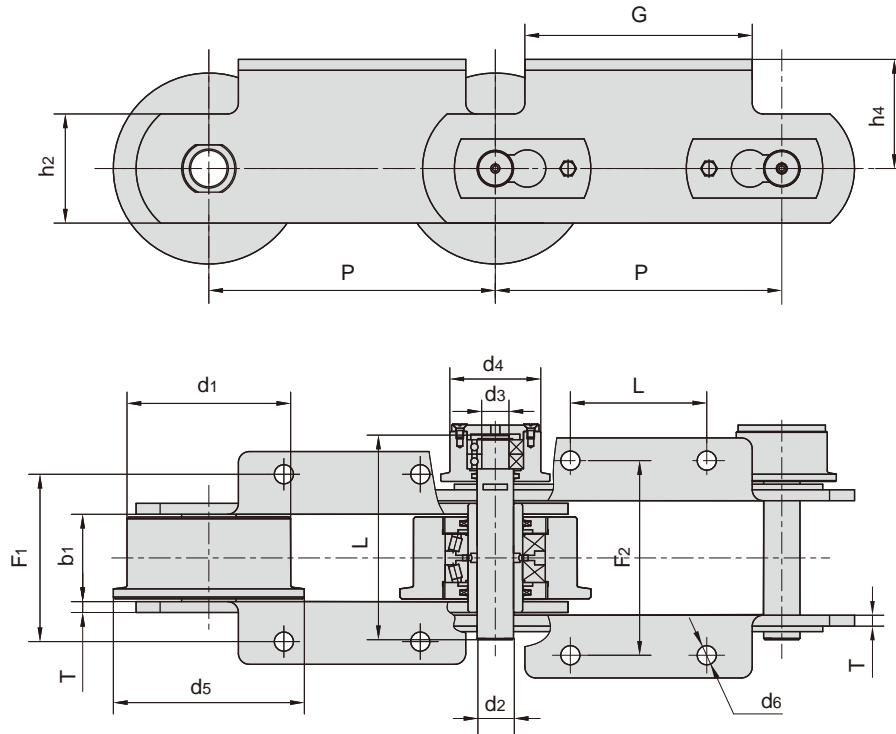








!aD“*L Ô3ìJ+ Ž
\$ POWFZPS DIBJOT GPS BVUPNPCJMF QSPEVDUJPO MJOF



| Donghua Chain No. | ½Ú¾à | ¹öxÖÖ±¾¶¶ | | | ÄÜ½ÚÄÜ¿í | ÛüÖáÖ±¾¶¶ | | ÛüÖá³¾¶¶È | ¿¹Ä-Ç¿¶È | Æ¹¾¾ù¿¹Ä-Ç¿¶È |
|-------------------|-------|-----------------|--------|--------|----------------------------|--------------|--------|------------|------------------|--------------------------|
| | Pitch | Roller diameter | | | Width between inner plates | Pin diameter | | Pin length | Tensile strength | Average tensile strength |
| | P | d1 max | d4 max | d5 max | b1 min | d2 max | d3 max | L1 max | Q min | Q0 |
| | mm | mm | mm | mm | mm | mm | mm | mm | kN/lbf | kN |
| P315 | 315 | 180.0 | 100.0 | 210.0 | 90.0 | 40.0 | 30.0 | 217.0 | 100.0/22727 | 110.0 |

| Donghua Chain No. | P | L | G | F1 | F2 | h4 | h2 | d6 | T |
|-------------------|-----|-------|-------|-------|-------|-------|-------|------|------|
| | mm | mm | mm | mm | mm | mm | mm | mm | mm |
| P315 | 315 | 150.0 | 250.0 | 180.0 | 206.0 | 120.0 | 120.0 | 21.0 | 12.0 |



