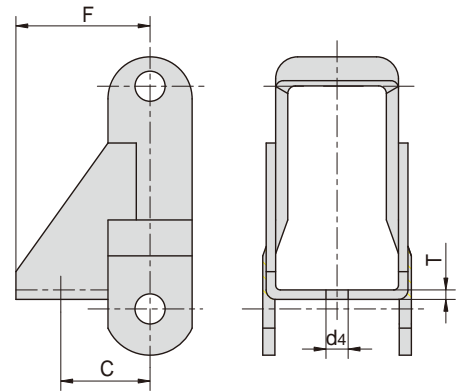




Ef WW^ b [ ` f ^ WUZ S [ ` S f f SUZ \_ W` f e

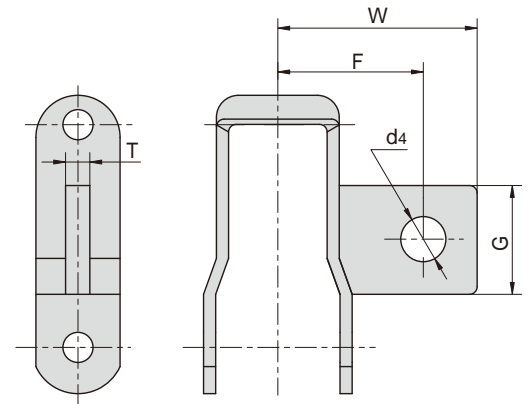
| 东华链号<br>Donghua<br>Chain No. | C     | F    | d <sub>4</sub> | T   |
|------------------------------|-------|------|----------------|-----|
|                              | mm    | mm   | mm             | mm  |
| 662                          | 22.90 | 37.2 | 7.00           | 2.8 |
| 667H                         | 25.40 | 38.9 | 7.00           | 4.8 |
| 667X                         | 29.50 | 39.7 | 7.00           | 4.8 |

带C1附件  
With C1 attachments



| 东华链号<br>Donghua<br>Chain No. | G    | F    | W    | d <sub>4</sub> | T    |
|------------------------------|------|------|------|----------------|------|
|                              | mm   | mm   | mm   | mm             |      |
| 662-ASF2                     | 18.2 | 35.9 | 48.4 | 7.00           | 4.3  |
| 662-ASF3                     | 23.8 | 34.9 | 48.0 | 6.75           | 4.8  |
| 662                          | 24.2 | 35.9 | 48.4 | 7.00           | 4.3  |
| 667H-ASF9                    | 28.6 | 51.6 | 65.9 | 8.33           | 6.4  |
| 667XH-KSF5                   | 28.6 | 47.7 | 59.2 | 9.50           | 6.4  |
| 88C-KSF5                     | 28.6 | 47.7 | 60.5 | 9.50           | 6.4  |
| 667H-ASF10                   | 28.6 | 51.6 | 65.9 | 9.90           | 6.4  |
| 667X-ASF8                    | 28.6 | 51.6 | 68.3 | 9.90           | 7.9  |
| 667H-ASF5                    | 28.7 | 51.9 | 66.6 | 8.40           | 6.5  |
| 667X-ASF7                    | 29.0 | 46.9 | 63.7 | 8.50           | 8.0  |
| 667H                         | 29.7 | 51.6 | 66.6 | 8.50           | 6.4  |
| 667X                         | 29.7 | 51.6 | 69.0 | 8.50           | 7.9  |
| 667-ASF1                     | 29.7 | 51.6 | 69.0 | 8.50           | 4.3  |
| 667H-ASF2                    | 29.7 | 51.6 | 66.6 | 8.50           | 6.4  |
| 667X-ASF14                   | 30.0 | 55.0 | 73.0 | 10.30          | 8.0  |
| 667K-ASF6                    | 31.5 | 50.5 | 71.5 | 11.90          | 10.0 |
| 667XH-AS                     | 31.8 | 51.6 | 69.9 | 9.90           | 9.5  |
| 667XH-ASF3                   | 31.8 | 51.6 | 69.9 | 11.90          | 9.5  |
| 88C-ASF2                     | 31.8 | 51.6 | 71.4 | 9.90           | 9.5  |
| 88C-ASF3                     | 31.8 | 51.6 | 71.4 | 11.50          | 9.5  |
| 667XH-ASF4                   | 31.8 | 51.6 | 69.8 | 11.50          | 9.5  |
| 667K-ASF8                    | 31.8 | 51.6 | 71.4 | 11.90          | 9.5  |
| 667XH-ASF7                   | 31.8 | 51.6 | 69.9 | 9.92           | 9.6  |
| 667K                         | 32.5 | 51.6 | 72.2 | 10.00          | 9.5  |
| 88K                          | 32.5 | 51.6 | 72.2 | 10.00          | 9.5  |
| 88C                          | 32.5 | 51.6 | 72.2 | 10.00          | 9.5  |

带AS附件  
With AS attachments



带A22附件  
With A22 attachments

